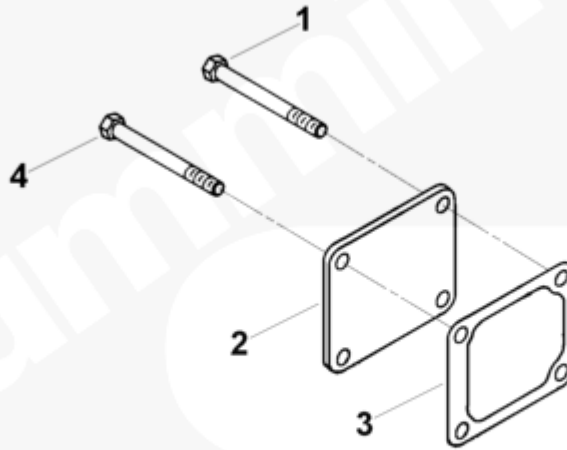




Parts Catalog - Option Detail

Electronic Parts Catalog - Option Detail				
Option	Group	Graphic	Film Card	Date
CH2021-03	10.02	ch200gk	II	15-MAY-01
Engines	ISM CM570, ISM CM570/870, ISM CM875, ISM CM876, ISM CM876 E, ISM11 CM876 M103, ISM11 CM876 SN, M11 CELECT, M11 CELECT PLUS, M11 MECHANICAL, QSM11 CM570, QSM11 CM876			

©Cummins Inc



ch200gk

[SMALL](#) | [MEDIUM](#) | [LARGE](#)

Cart	Ref No	Part Number	Part Description	Required	Remarks
View My Cart					
		CH2021-03	Coolant Heater Starting Aid		MR - AID, COOLANT HEATER...(More)
					STARTING
					Engine Family: M11
					No future requirement to
					install an engine coolant
					heater, Kim Hotstart or other
					external heaters mounted in

					heater housing located right
					rear on water header plate.
					Heating Element Mtg Style:
					No element - Blanking Plate
					Installed
					Stud Provided: Stud - Upper
					R.H. Corner
<input type="checkbox"/>	1	3034836	Hexagon Head Cap Screw	3	M10 x 1.50 x 30
<input type="checkbox"/>	2	3253334	Cover Plate	1	
<input type="checkbox"/>	3	3893690	Heater Housing Gasket	1	To Be Used On M11 Engine Only
<input type="checkbox"/>	4	3883394	Studded Hexagon Cap Screw	1	M8x1.25x20 - M10x1.50x70